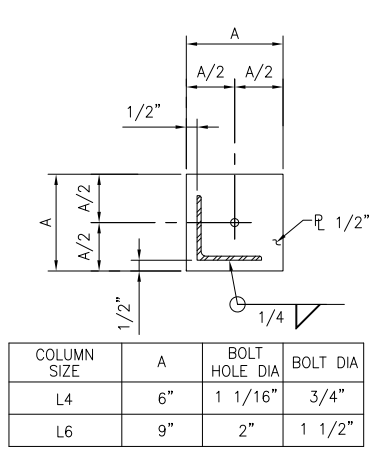
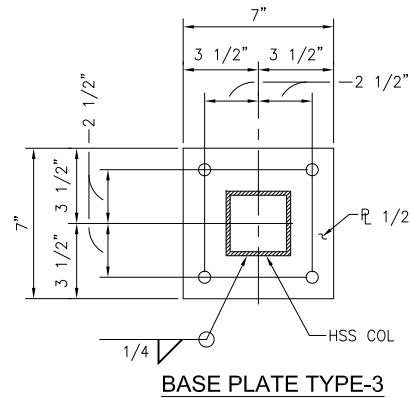


- NOTES:**
- SEE DRAWING REX-STEEL-NOTES FOR GENERAL NOTES AND SPECIFICATIONS.
 - MEMBER SIZES ARE DEPENDENT ON DIMENSIONAL DATA.

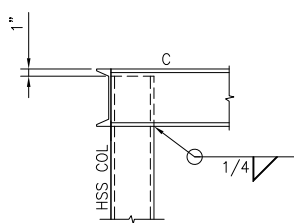


BASE PLATE TYPE-1

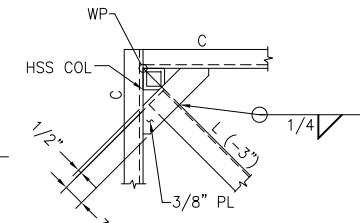
COLUMN SIZE	A	BOLT HOLE DIA	BOLT DIA
L4	6"	1 1/16"	3/4"
L6	9"	2"	1 1/2"



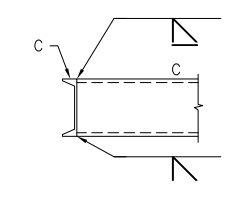
BASE PLATE TYPE-3



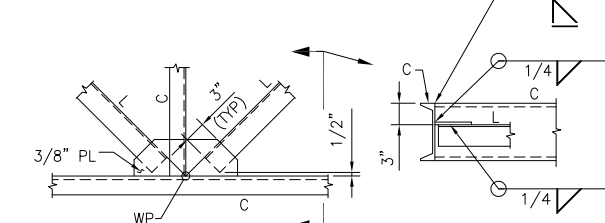
TYP DETAIL-1



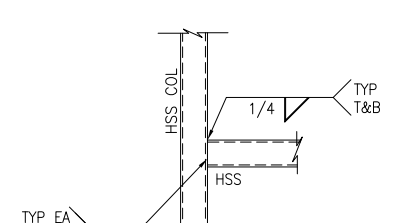
TYP DETAIL-2



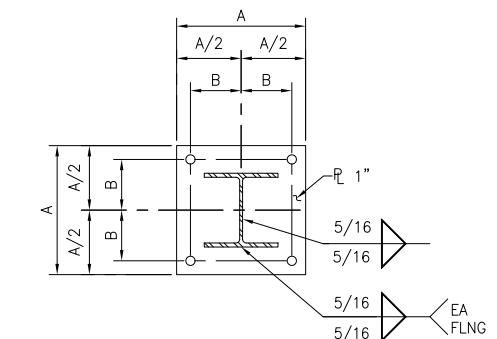
TYP DETAIL-3



TYP DETAIL-4

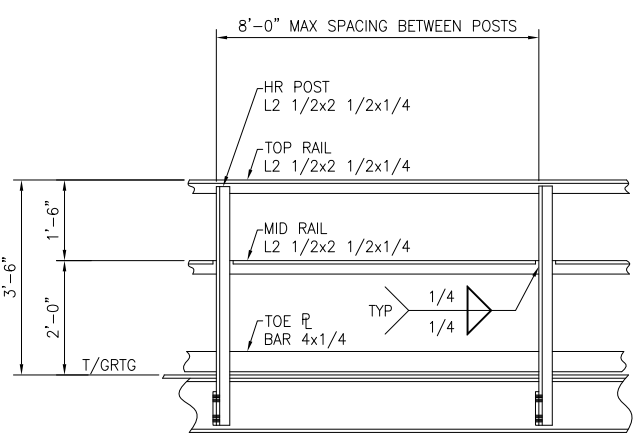


TYP DETAIL-5

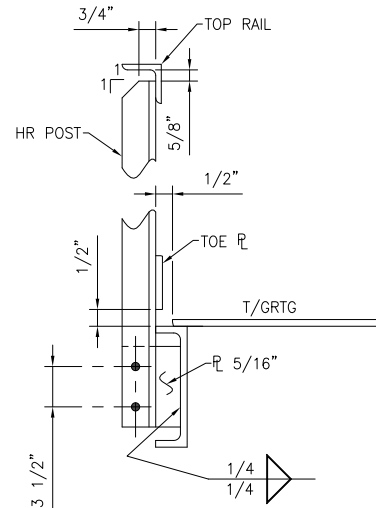


BASE PLATE TYPE-2

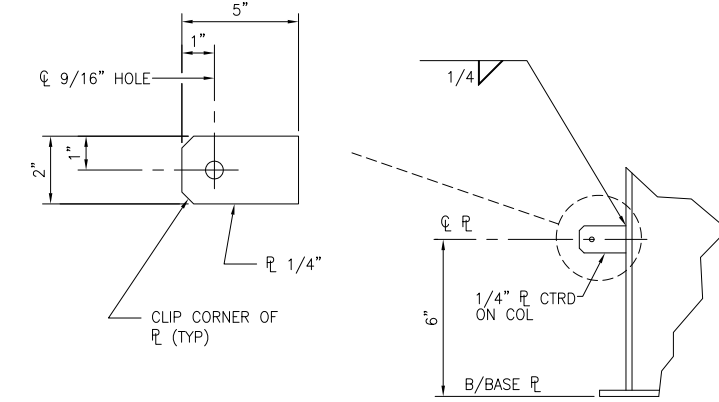
COLUMN SIZE	A	B	BOLT HOLE DIA	BOLT DIA
W6	12"	4 1/2"	1 1/16"	3/4"
W8	14"	5"	1 1/2"	1"



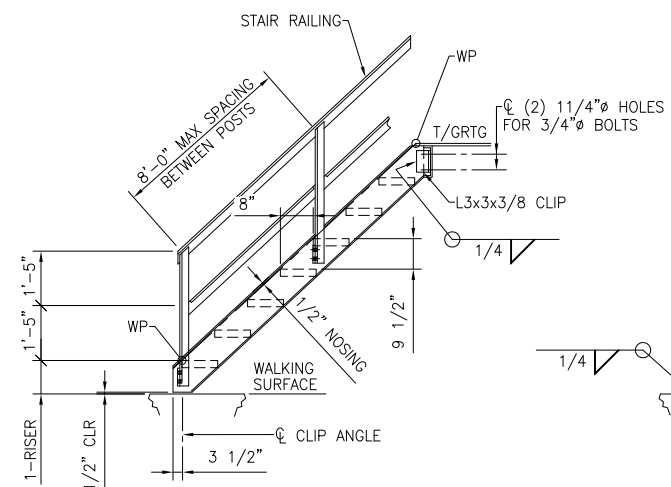
HANDRAIL DETAIL



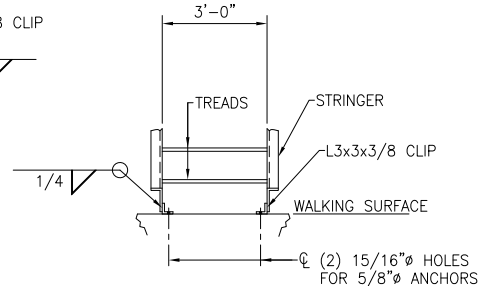
HANDRAIL CONNECTION



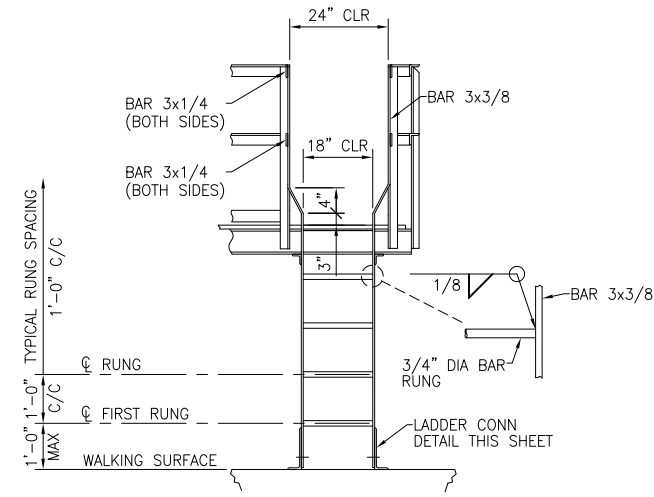
GROUNDING CONNECTION



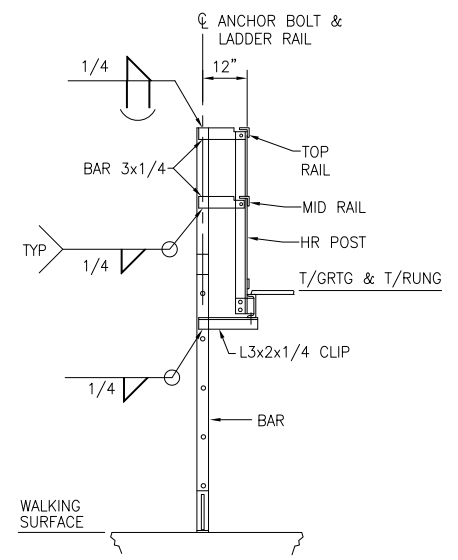
STAIR SIDE ELEVATION



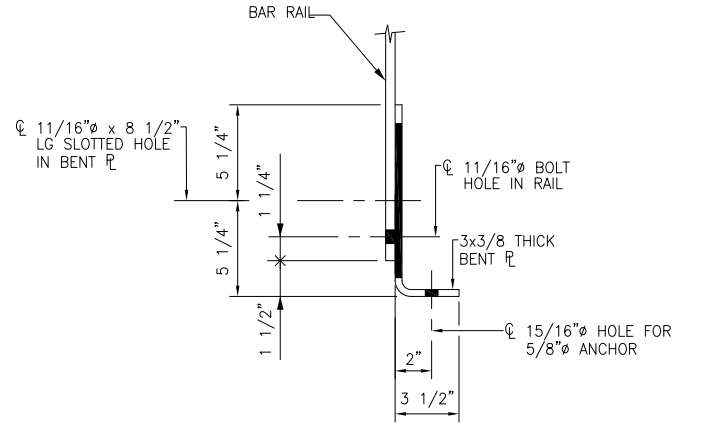
STAIR FRONT ELEVATION



LADDER FRONT ELEVATION



LADDER SIDE ELEVATION



LADDER CONNECTION DETAIL



REX-STEEL-DETAILS1

SCALE: NOT TO SCALE DATE: 07/29/2014 REV: A