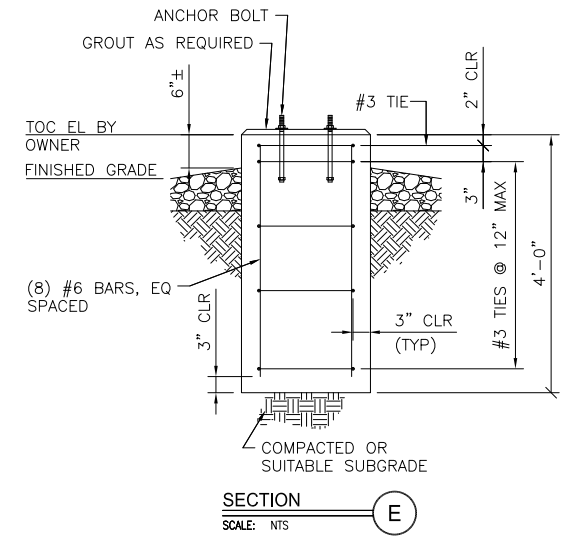
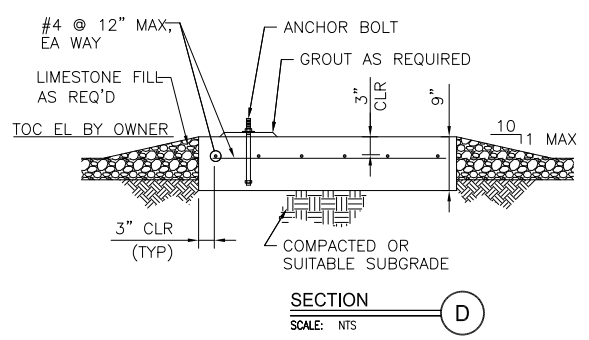
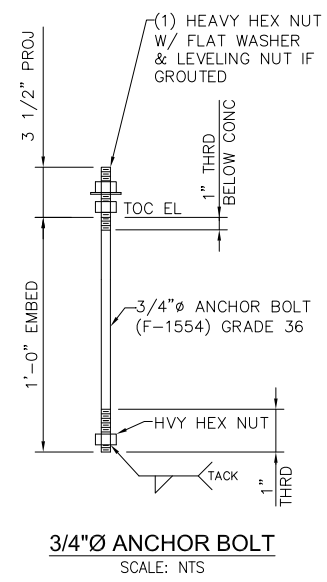
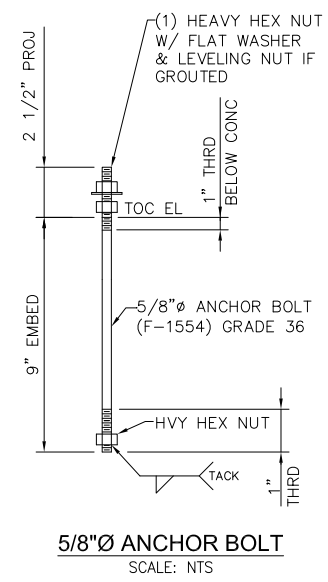
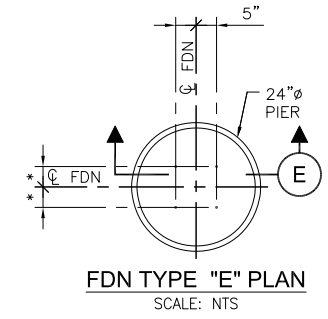
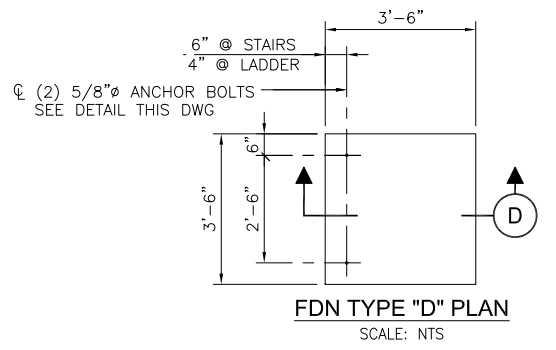
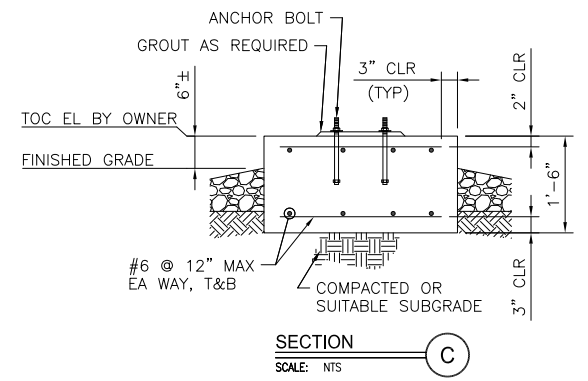
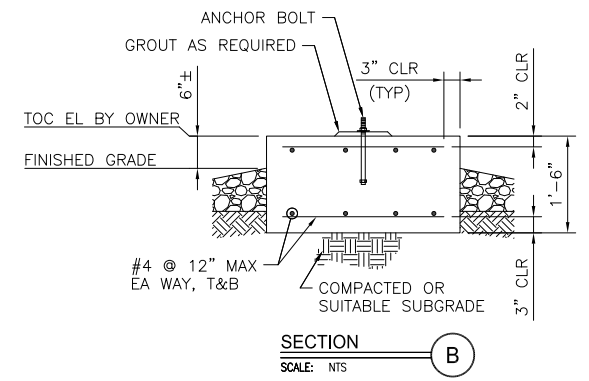
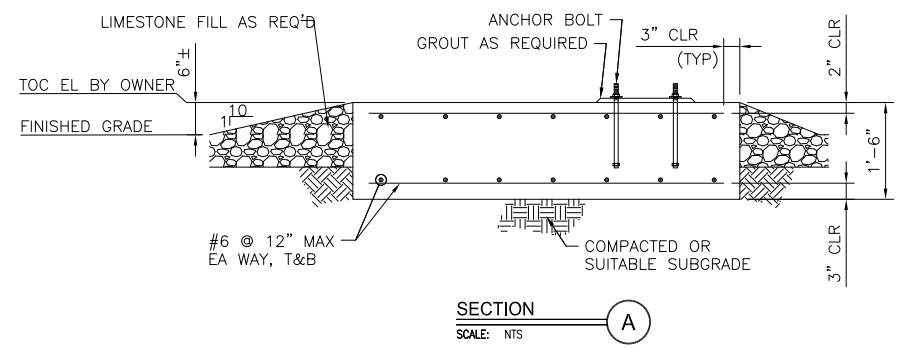
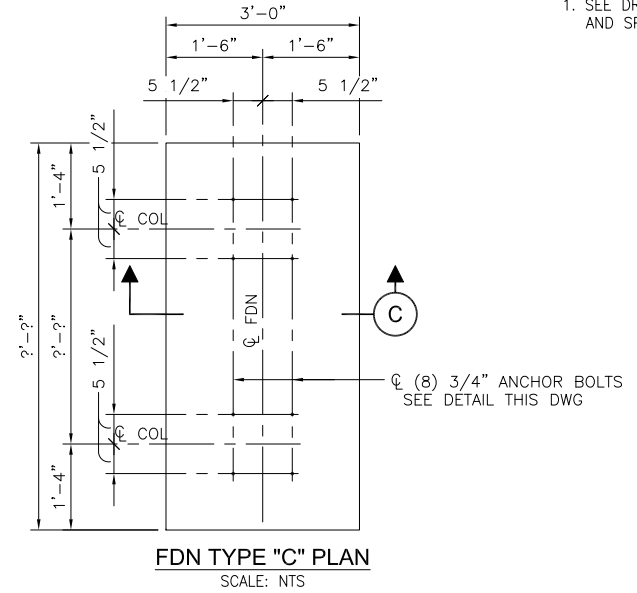
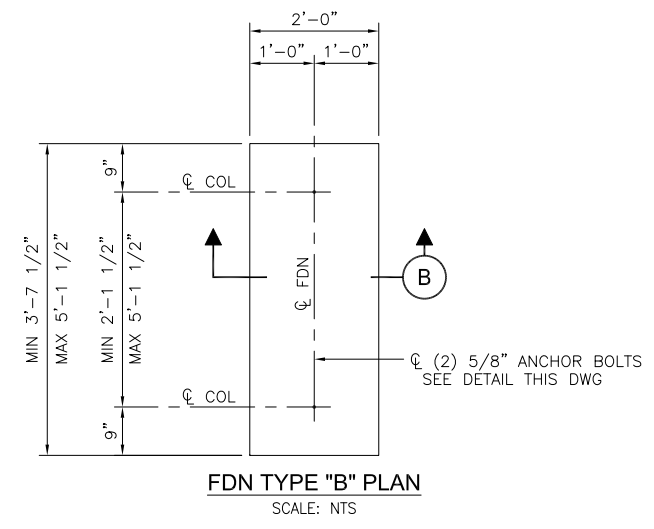
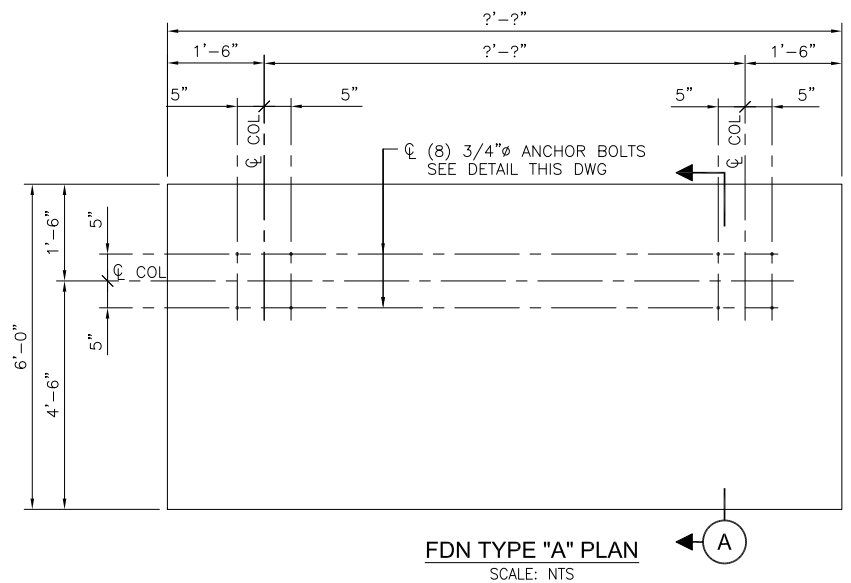


NOTE:
1. SEE DRAWING REX-CIVIL-NOTES FOR GENERAL NOTES AND SPECIFICATIONS.



REX INDUSTRIAL

REX-CIVIL-DETAILS1

SCALE: NOT TO SCALE DATE: 3/1/2015 REV: A